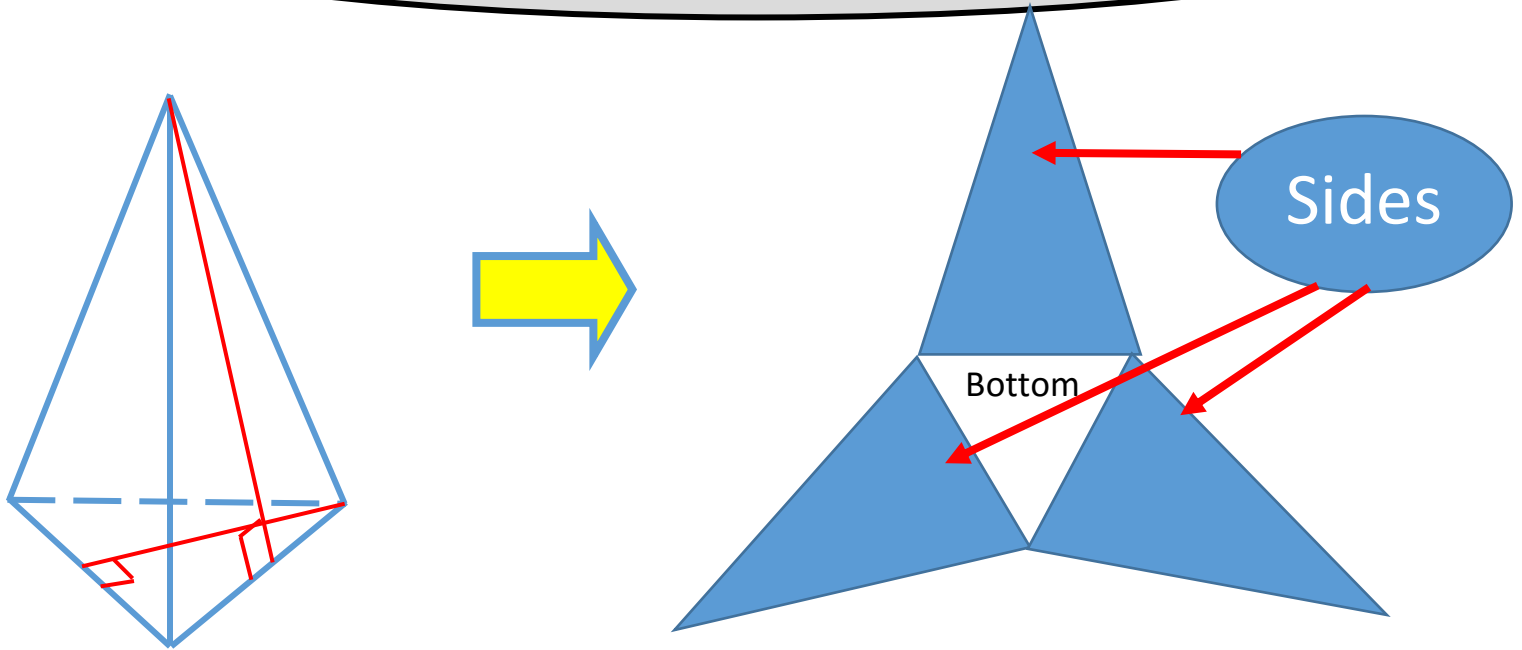


8.35 (pg 370) Surface Area of Triangular Pyramids

The **surface area** of a triangular pyramid is the sum of the areas of its 4 faces.



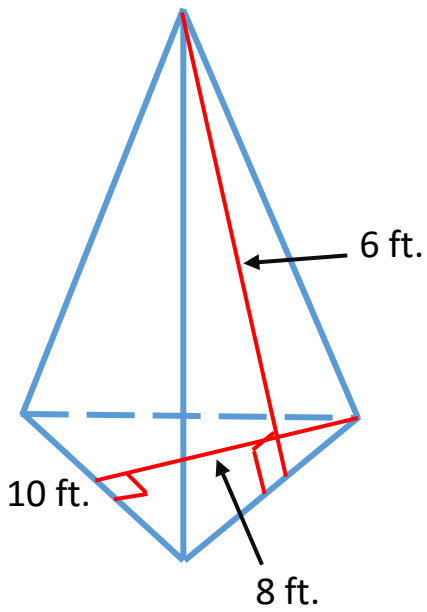
Surface Area of a Triangular Pyramid is...

$$S.A. = B + 3T$$

Where **B** = area of the base

Where **T** = area of a triangular face

Example: Find the surface area of the triangular pyramid.



$$\begin{aligned} S.A. &= B + 3T \\ &= \frac{1}{2} (10)(8) + \frac{1}{2} (10)(6) \cdot 3 \\ &= 40 + (30 \cdot 3) \\ &= 40 + 90 \\ &= 130 \text{ ft}^2 \end{aligned}$$